



Flamelusion

THE ELECTRIC FIRE

Flamelusion
THE ELECTRIC FIRE

Creating a better future
depends on the choices we make today.



Flamelusion
THE ELECTRIC FIRE



PLUG & PLAY

No limits
No chimney



HEAT

With or without an IR panel...
The choice is yours



SAFE

No CO poisoning
No risk of burns



ECO-FRIENDLY

Zero emission - no fumes
Local production



Flamelusion
THE ELECTRIC FIRE

OPEN WOOD-BURNING FIRE

Fire, the core element that sparked the human evolution, passed from one generation to the next.

What makes it so unique? Is it the image, smoke, sparkles, sound, heat,...? A feeling or a cozy memory around the fire...

Can we duplicate it? Make it ecological and realistic? Will it capture all the essences?

After 5 year-long journey of researching, struggling and developing, the result was determined by our abilities to find a solution. Flamelusion.

An exclusive holographic fireplace that captures all the essences of an open fireplace without the disadvantages.

A fireplace that makes you feel at home, wherever you are...



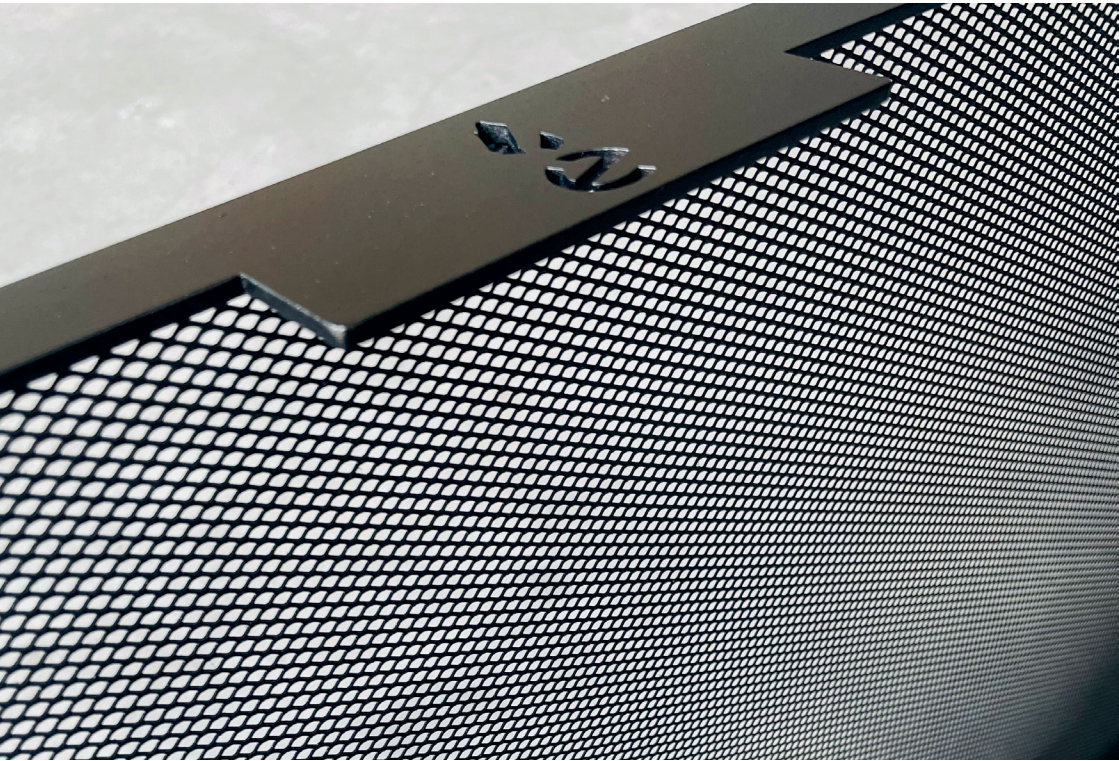
Flamelusion
THE ELECTRIC FIRE

INSPIRED
BY
SIMPLICITY

Switch on the device, activate the heat and make some beautiful memories.

You may connect your Flamelusion to a controlled socket or home automation system.

Plug, play and enjoy!



Flamelusion
THE ELECTRIC FIRE

THE SPARKLE

Spark screens were originally created to prevent burning sparks from landing on your carpet or wooden floor in front of your fireplace.

Flamelusion spark-screens are created with a different vision: the spark screens reduce the reflection from direct light and further enhances the reality and elegance of your Flamelusion.



Flamelusion
THE ELECTRIC FIRE

THE CHOICES WE MAKE TODAY

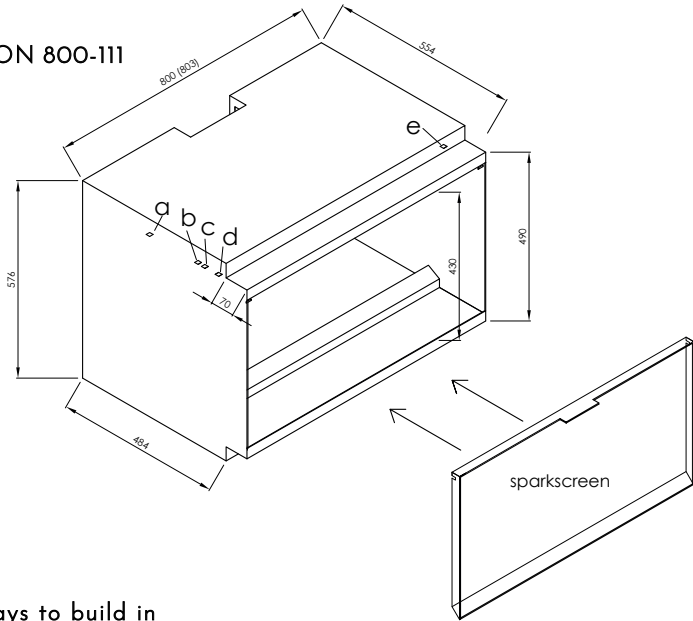
We at Flamelusion care about the planet, the environment and our future generations.

Greenhouse gases or emissions are rising. We are approaching to a point of no return... Old dated and misused fireplaces emit toxic fumes and tiny particles that could harm your health. Your Flamelusion emits no fumes and pollution.

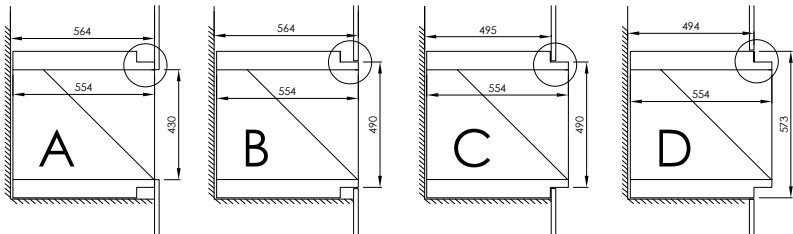
Production is kept locally and supports the local employment which lowers our ecological footprint.

Local tree-plant actions will be organized every year. Because planting trees instead of cutting them down is a choice we want to make in order to create a better future.

FLAMELUSION 800-1111



4 different ways to build in



FLAMELUSION

800-111

- plug & play (with main switch on)
- typical power consumption without IR: 98W
- buttons:
 - a. main switch on/off
 - b. volume high
 - c. volume low
 - d. standby on/off
 - e. IR panel on/off
- total weight: 77 kg
- IR heat panel
 - W: 800mm
 - H: 1200mm
 - D: 17mm (45mm with wall bracket)
 - black: RAL 9005
 - white: RAL 9003
- no remote control, easy to use



LET'S GET IN TOUCH

www.flamelusion.com
contact@flamelusion.com

